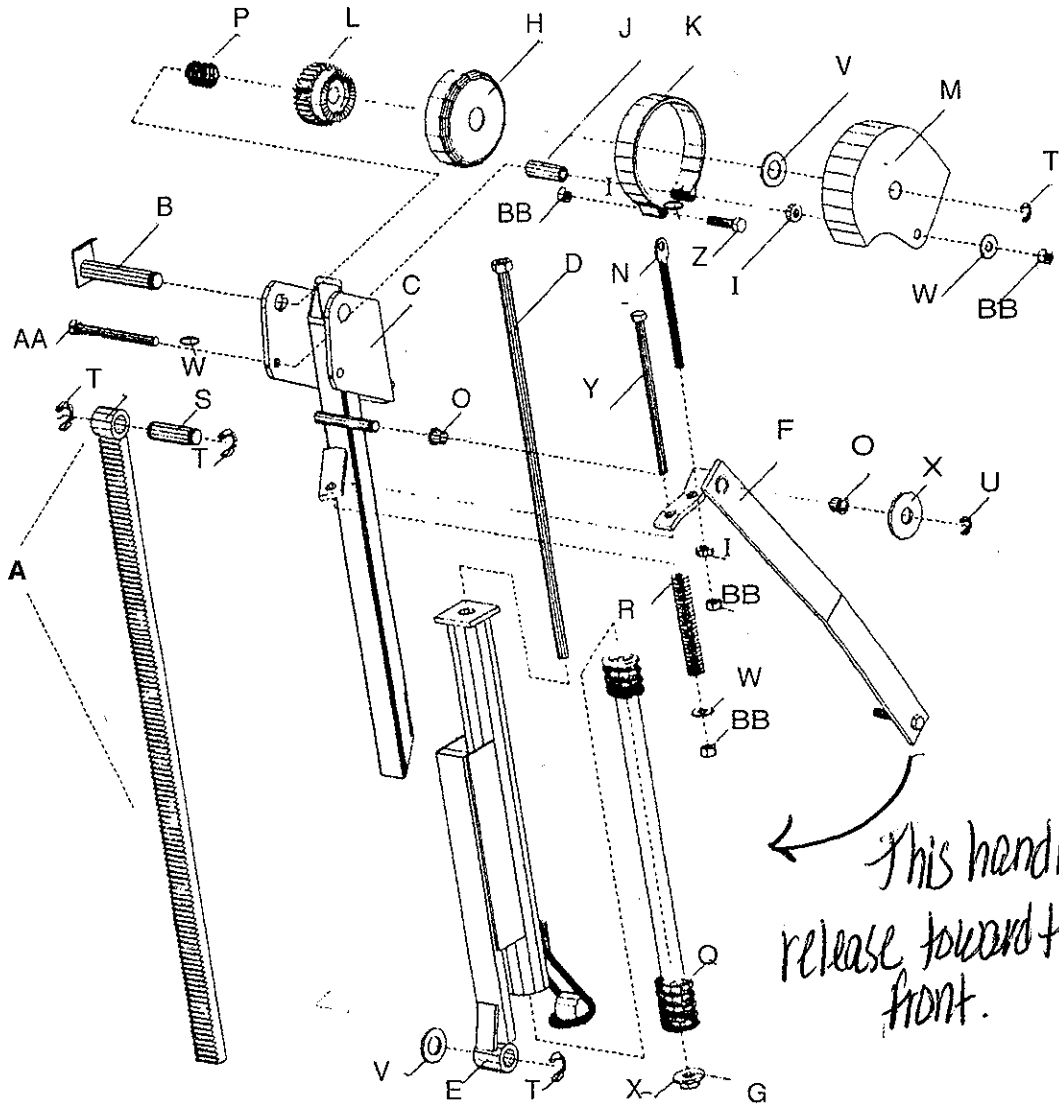


MULTI-FAB PRODUCTS, LLC

SMF 5005 HOLDOWN ASSEMBLY PARTS LIST

8-8786 Rack Assembly (A) is shown below, but not included in SMF5005 Holddown



A Rack Assembly (Not included)	8-8786	J Band Spacer (Long)	586-1099	T Klipring - 3/4	236-110
B Gear Pin Assembly	8-9575	K Brake Band	341-011	U Klipring - 1/2	236-106
C Float Assembly	8-9477	L Spur Gear	328-789	V Flat Washer	234-141
D Threaded Rod Assembly	8-9614	M Drum Shield (Not Available)	341-012	W Flat Washer	234-101
E Float Tube Assembly	8-9476	N Link Rod	216-257	X Flat Washer 1/2"	000-050
F Release Lever Assembly	8-9475	O Bushing - Nyliner	821-030	Y HD adj. Bolt 3/8 x 7	212-122
G Nut - PW Assembly	8-9609	P Gear Spring	333-037	Z 3/8" Bolt	212-105
H Drum Assembly	8-8785	Q Spring - Comp	332-065	AA HHMB 3/8" x 4 1/2" Bolt	212-119
I Band Spacer (Short)	586-0973	R Spring - Lever	332-066	BB 3/8 Locknut	214-204
		S Upper Pin (Not Included)	583-0003		