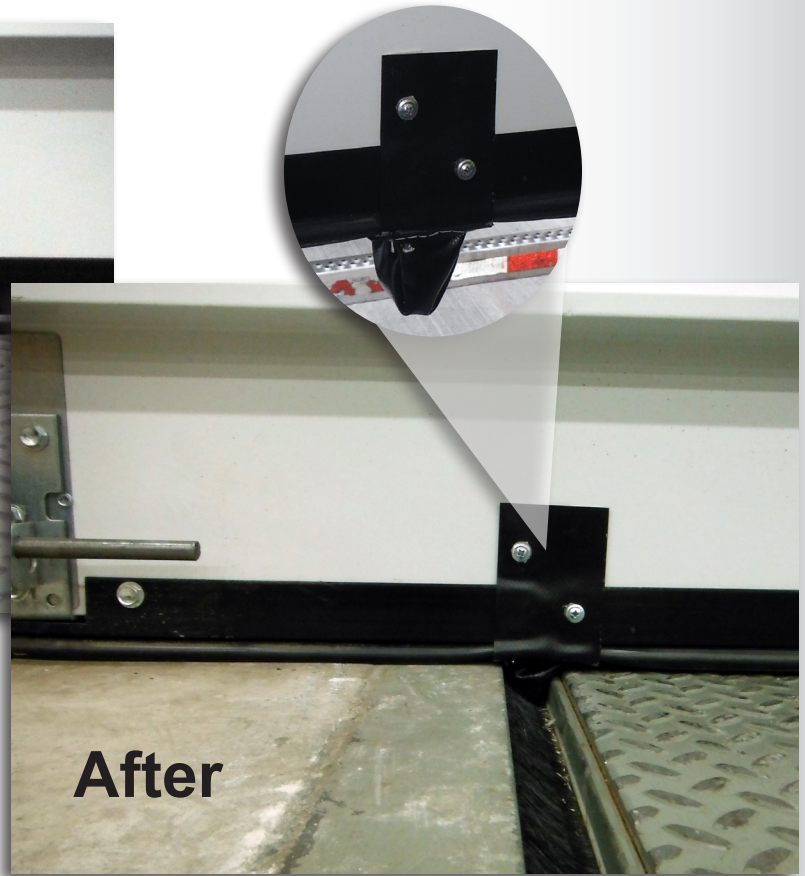




**Before**



**After**

- ▶ Fits any style or size overhead door
- ▶ Mounts quickly and easily to overhead door
- ▶ Professional install is not required
- ▶ 22 oz vinyl shell with, high performance foam core
- ▶ Designed to close off the gap between the overhead door, the loading dock leveler, and pit wall
- ▶ Reduces air infiltration and lowers energy costs
- ▶ Closes off entry points for bugs and rodents

# DRAFT WEDGE

## ENERGY SAVING SOLUTIONS

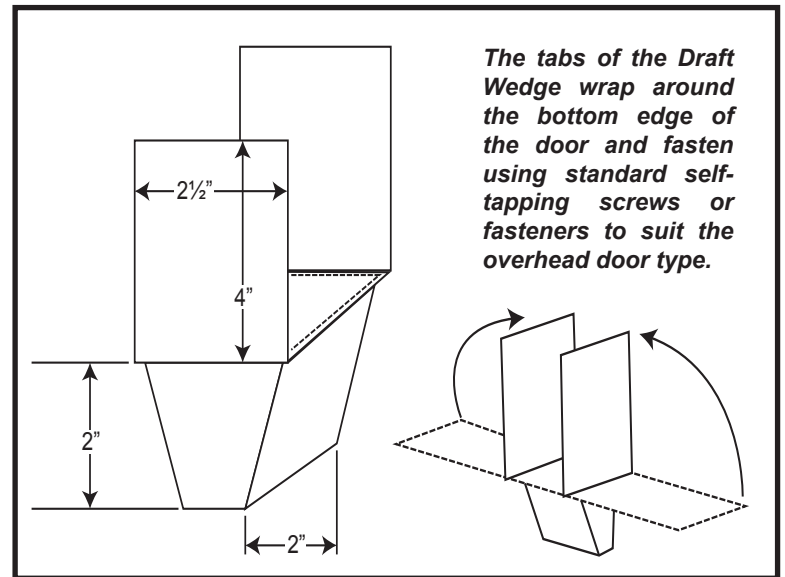
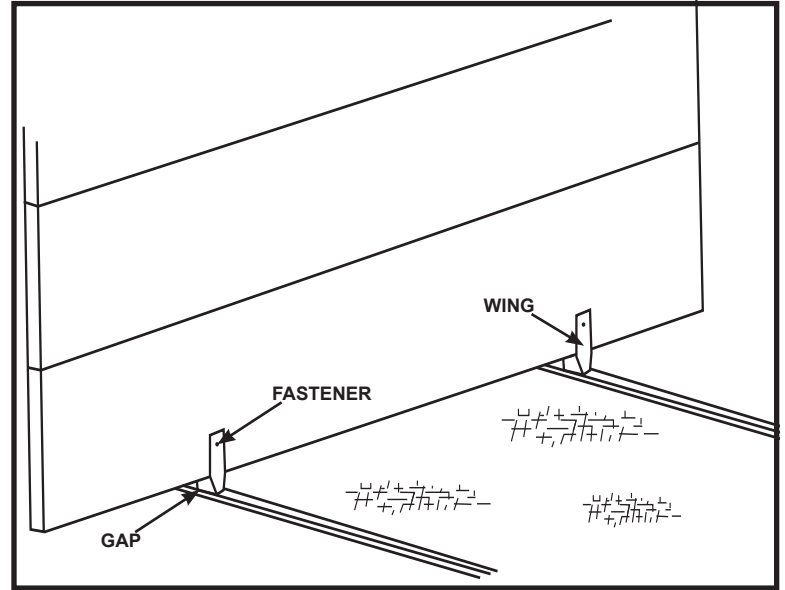
The overhead door is one of the most important fixtures at your loading dock. The overhead door provides security and protection from the outside elements, but if the area at the bottom of the closed door is not properly sealed off, climatized air can escape your building. This gap can cause unpleasant drafts in your loading dock area and an increase in energy costs. Unsealed areas can also cause cleanliness and bug and rodent problems which can result in damaged products, and failed inspections.

The Draft Wedge is designed to close off the gap between the overhead door, the loading dock leveler and the pit wall, giving you maximum protection against the outside elements. These specially engineered foam filled seal fills the gaps each time the door is closed by "Wedging" into the void where the door meets the leveler and dock pit wall.

Each Draft Wedge is manufactured using 22 oz. vinyl surrounding a "wedge" shaped foam core. This design allows the Draft Wedge to easily flatten and form itself into the gap area providing a tight seal. The vinyl provides an ultra-strong outer shell for the foam, making the Draft Wedge durable and long lasting.

The Draft Wedge is easy to install and does not require door modifications or a professional installer. The Draft Wedge is mounted in place by positioning the wedge into the gap area, wrapping the tabs around the bottom edge of the door and fastening with standard self-tapping screws or fasteners to suit the overhead door type.

In just a few minutes air gaps can be removed at each loading dock position, reducing heating or cooling costs and improving the building's protection from outside elements.



DISTRIBUTED BY:



W194 N11481 McCormick Drive • Germantown, WI 53022  
Phone: 1.800.643.5424 • Email: sales@allieddocksolutions.com

[www.allieddocksolutions.com](http://www.allieddocksolutions.com)