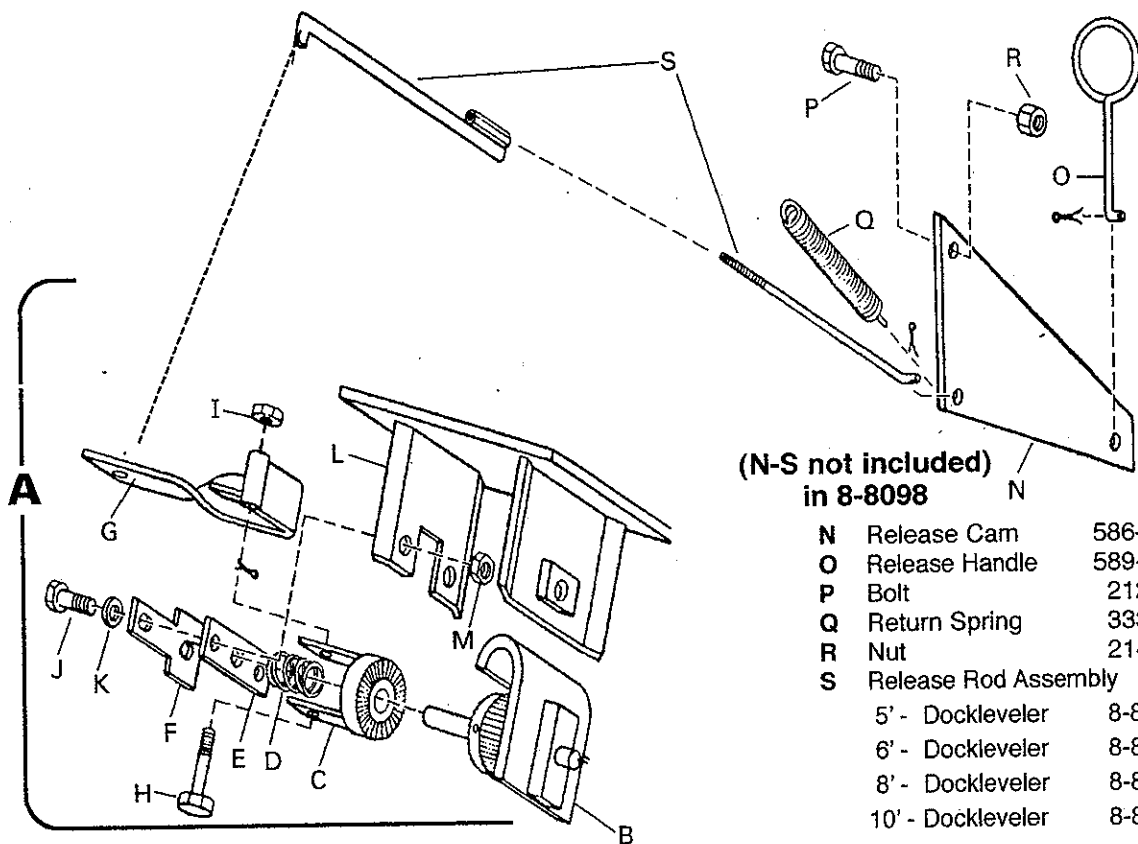


MULTI-FAB PRODUCTS, LLC

TYPICAL SERCO® HOLDDOWN and FLOAT with PINION GEAR and SHAFT

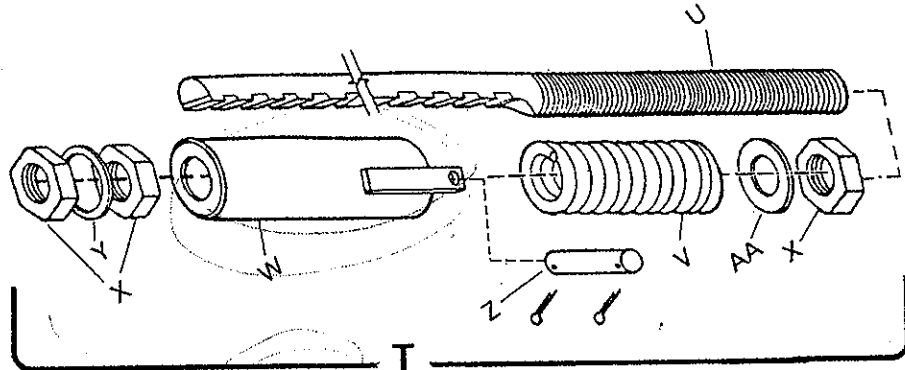


(N-S not included)
in 8-8098

N	Release Cam	586-0316
O	Release Handle	589-0023
P	Bolt	212-103
Q	Return Spring	333-033
R	Nut	214-201
S	Release Rod Assembly	
	5' - Dockleveler	8-8150
	6' - Dockleveler	8-8151
	8' - Dockleveler	8-8152
	10' - Dockleveler	8-8153

A Complete Holddown Assembly 8-8098 (includes B-M)

B	Pinion Gear, Shaft & Guide Assy.	8-8195	H	Bolt	212-109
C	Release Gear	328-792	I	Nut	214-204
D	Spring	332-047	J	Bolt	212-204
E	Retaining Plate	585-0016	K	Lock Washer	234-121
F	End Plate	586-0230	L	Housing	8-8102
G	Release Lever	8-8132	M	Nut	214-245



T Complete Float Assembly 8-8101

U	Rack Bar	583-0006
V	Spring	332-048
W	Float Tube 12 1/4" lg.	8-8134
X	Nut	214-341
Y	Lock Washer	234-361
AA	Washer Bushing	51730
BB	Cotter Pin 1/4" x 2 1/2" (Not Shown)	

Complete Float Assembly 8-9038

Not Shown		
U	Rack Bar	583-0006
W	Float Tube 18 3/8" lg.	8-9038
Z	Pin with Cotter Pins	585-0054 (not Included)