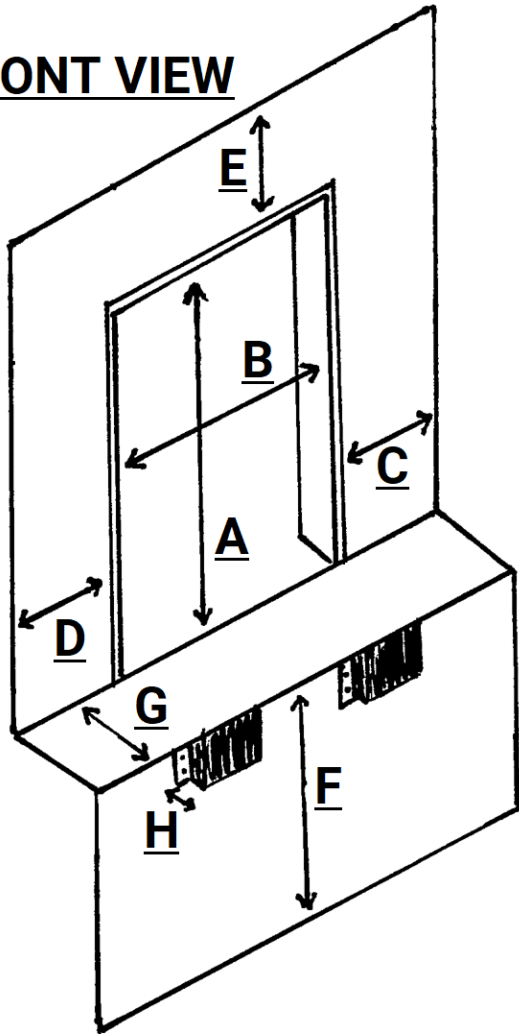
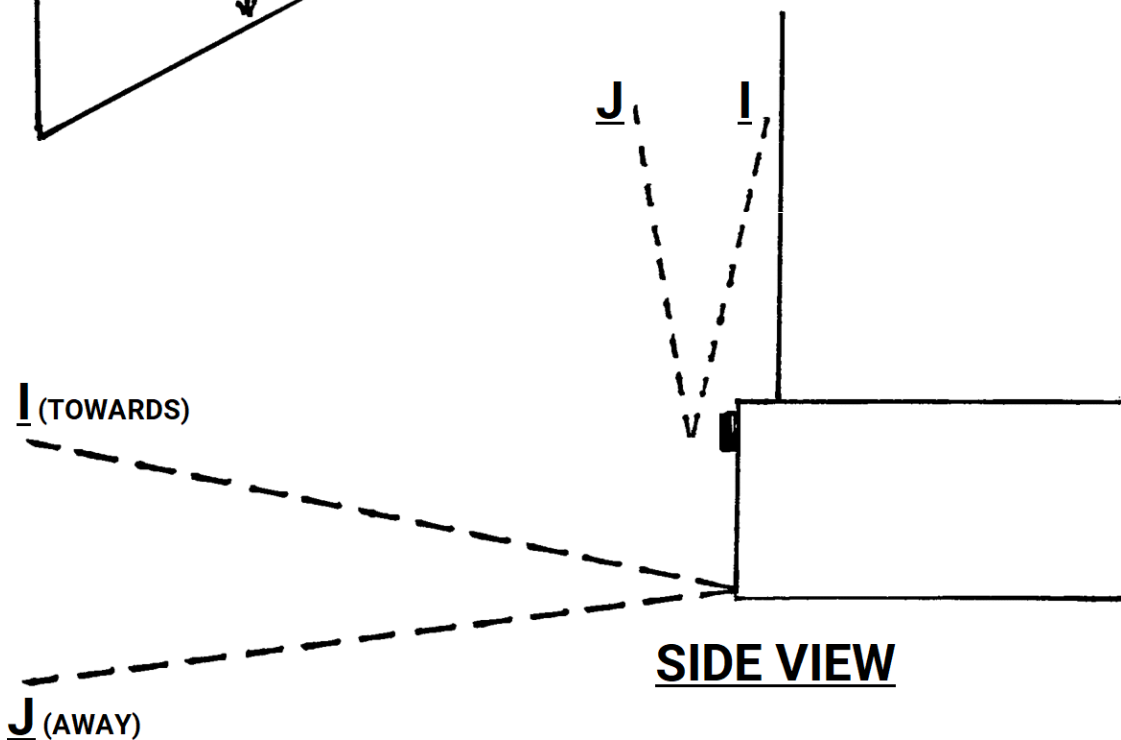


LOADING DOCK SURVEY - SEAL & SHELTER

FRONT VIEW



- A (DOOR HEIGHT): _____"
- B (DOOR WIDTH): _____"
- C (CLEAR SPACE): _____"
- D (CLEAR SPACE): _____"
- E (CLEAR SPACE): _____"
- F (DOCK HEIGHT): _____"
- G (WALL OFFSET): _____"
- H (BUMPER PROJECTION): _____"
- I (DRIVEWAY GRADE %): _____"
- OR-
- J (DRIVEWAY GRADE %): _____"



SIDE VIEW