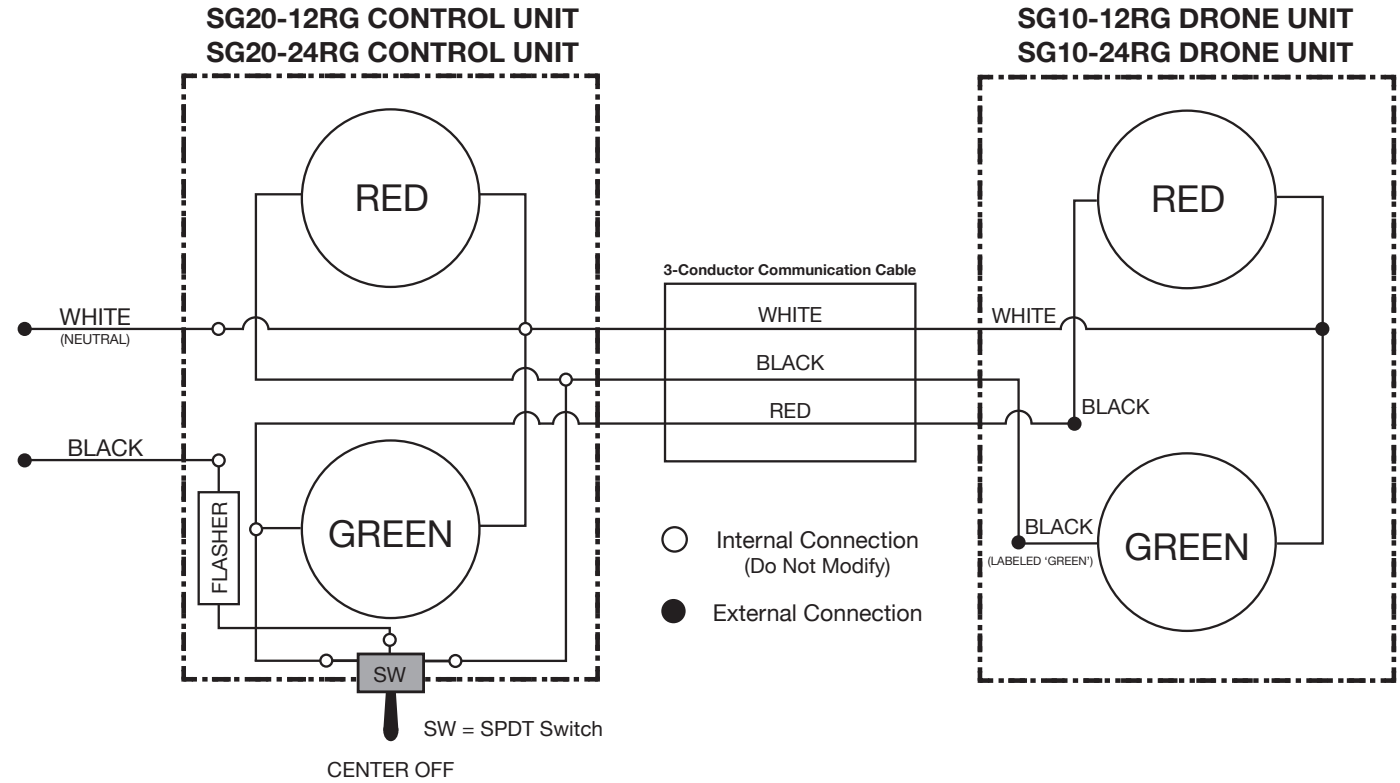
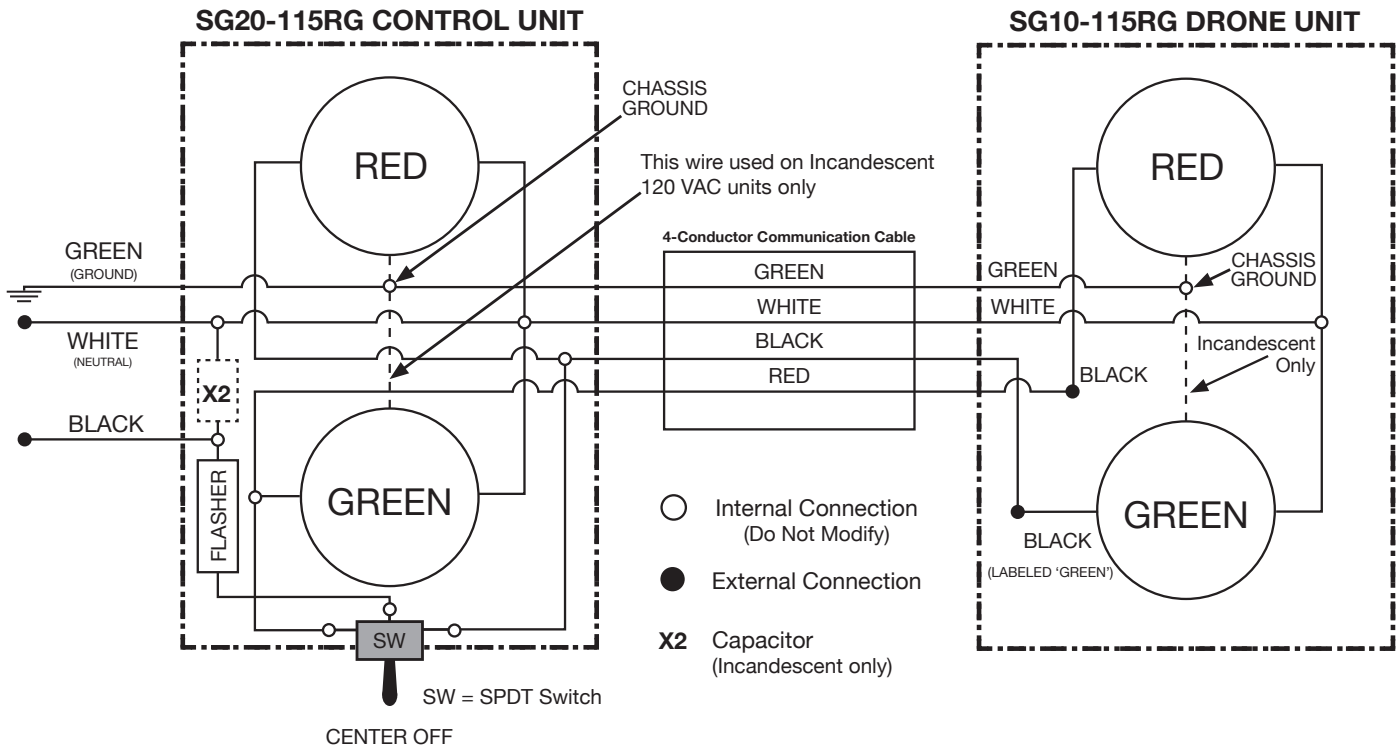


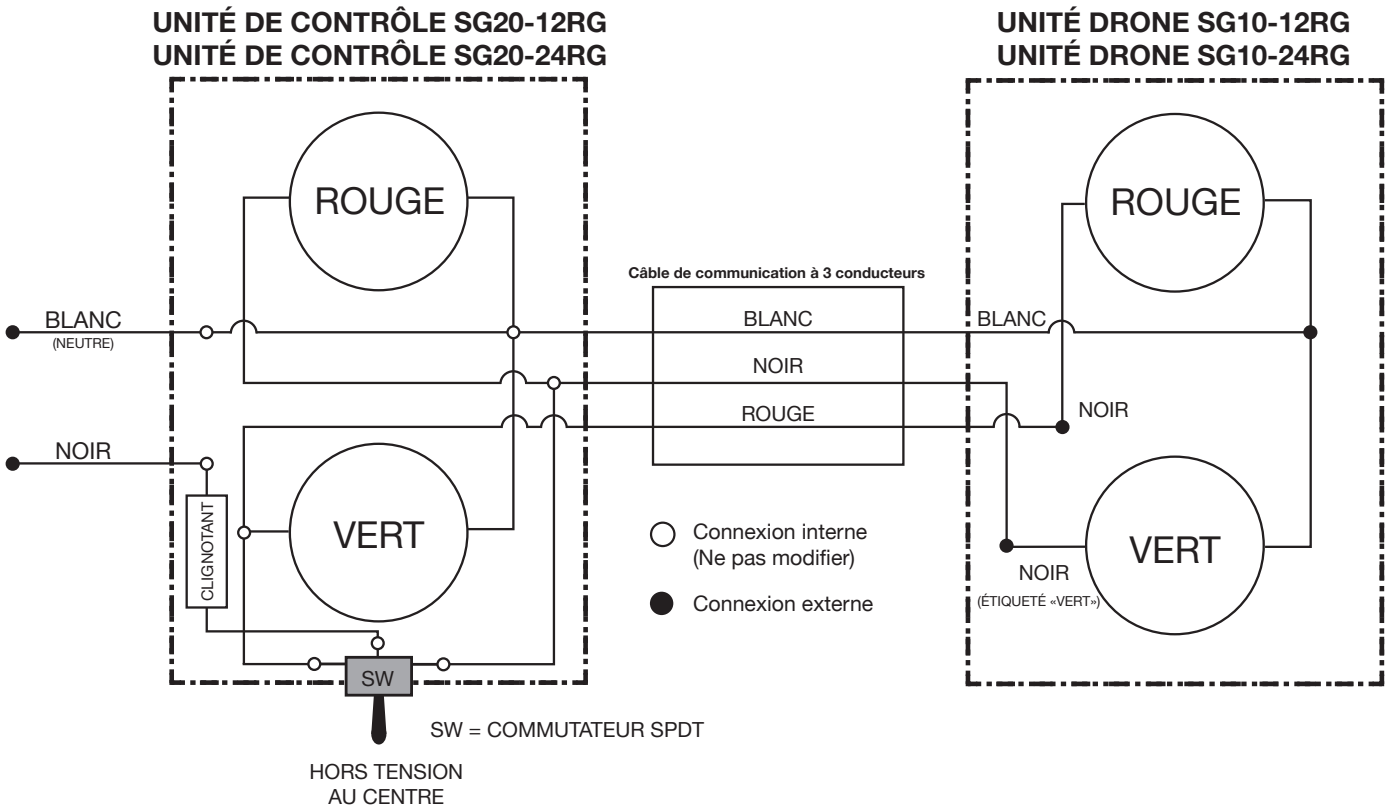
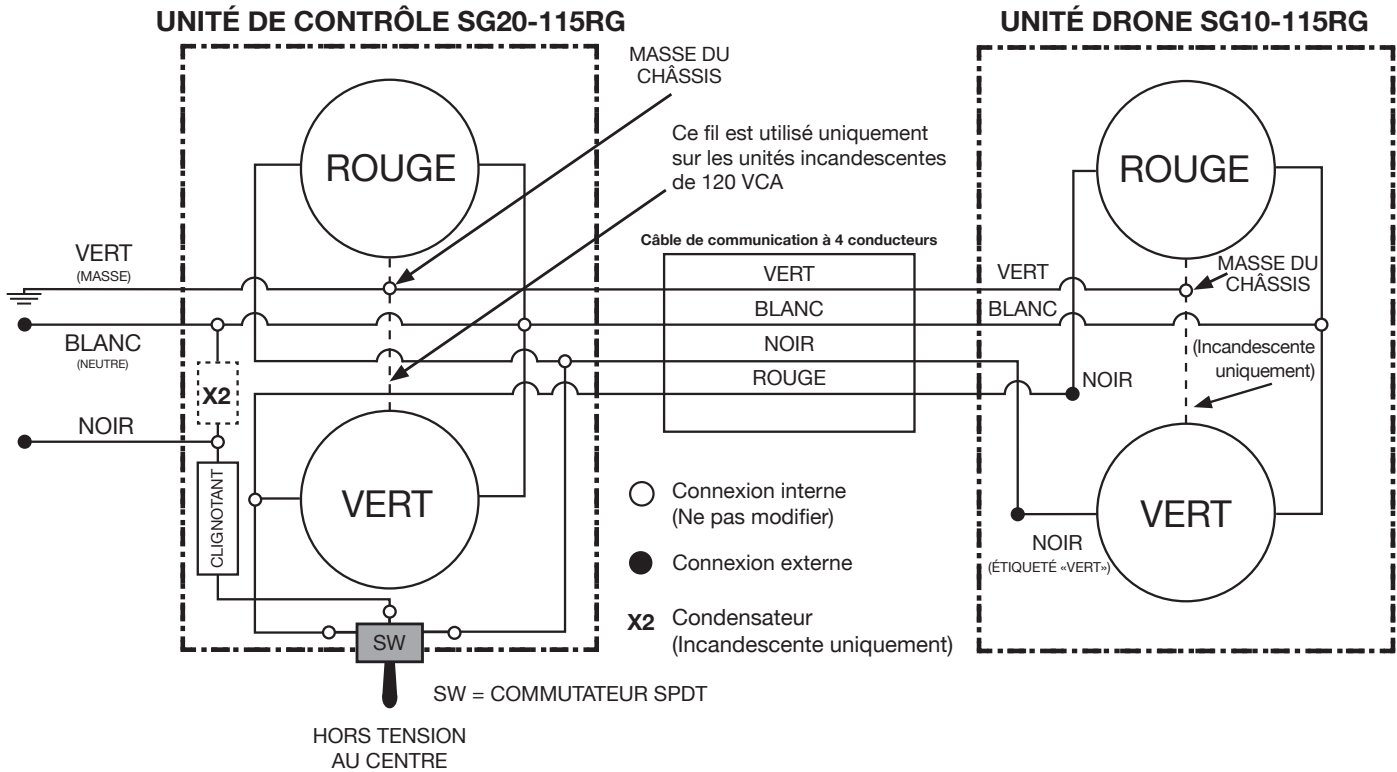


WIRING DIAGRAM for MODELS SG30-RG (Incandescent) and SG30-RG-LED



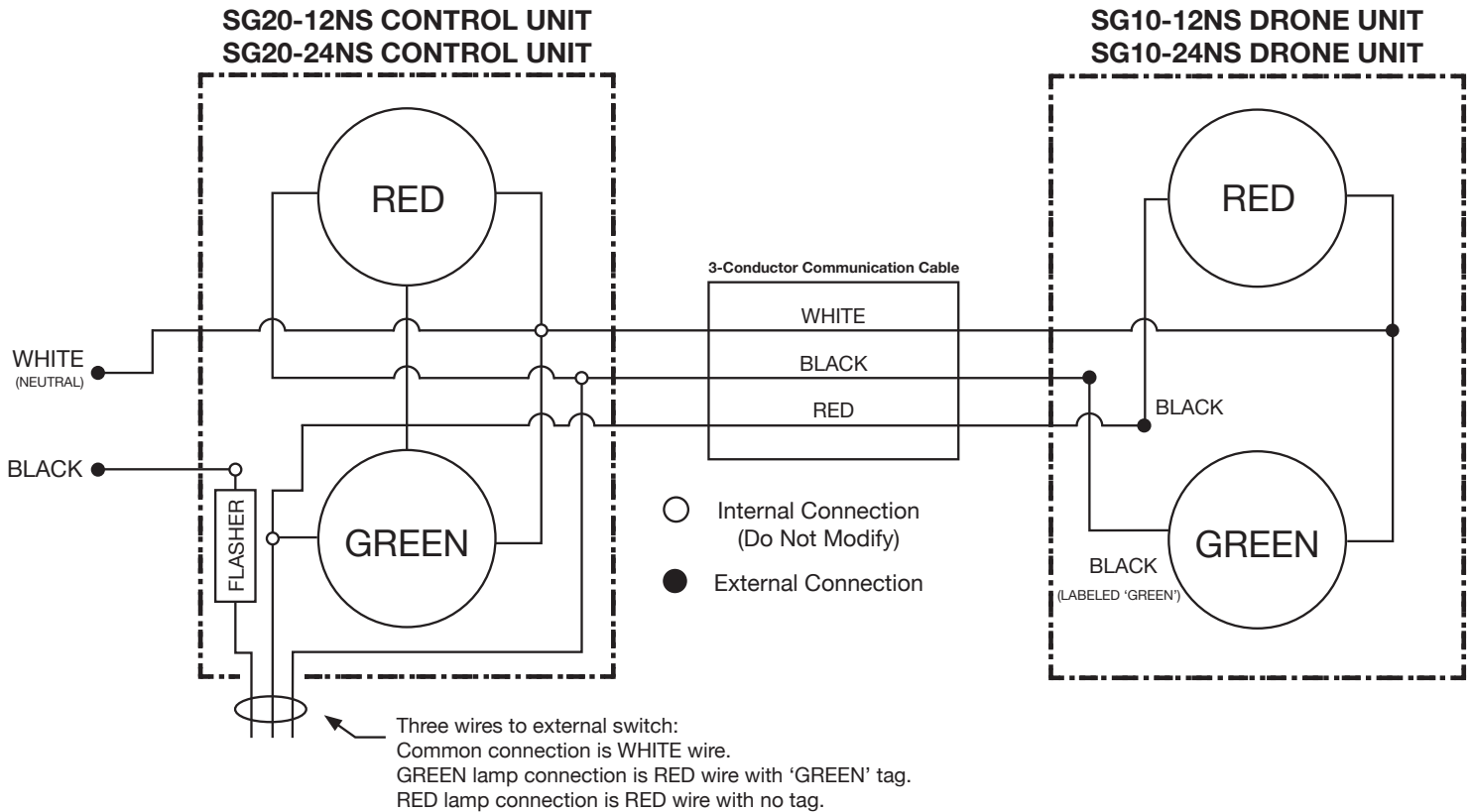
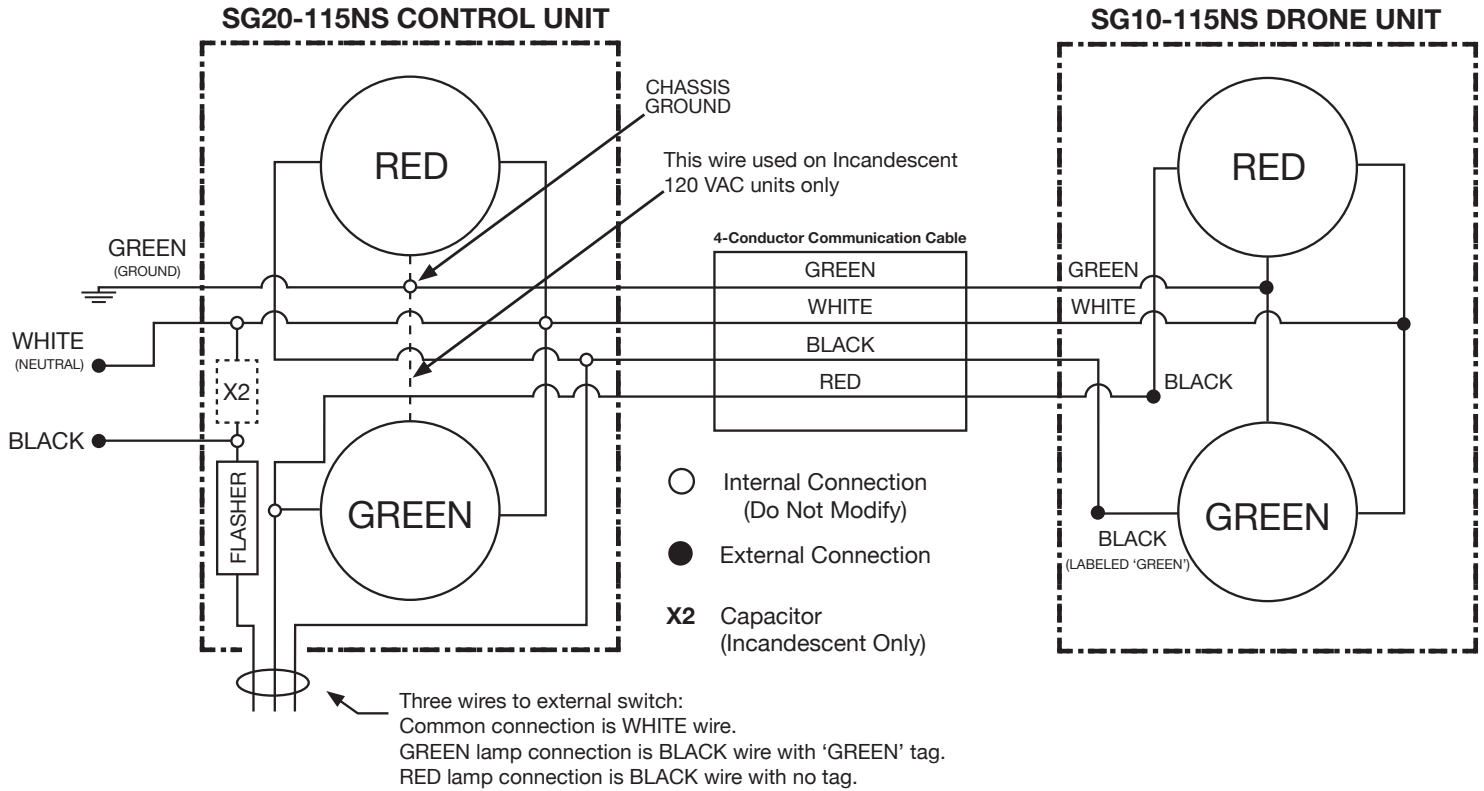


SCHÈMA DE CONNEXION pour les MODÈLES SG30-RG (Incandescence) et SG30-RG-LED (DEL)



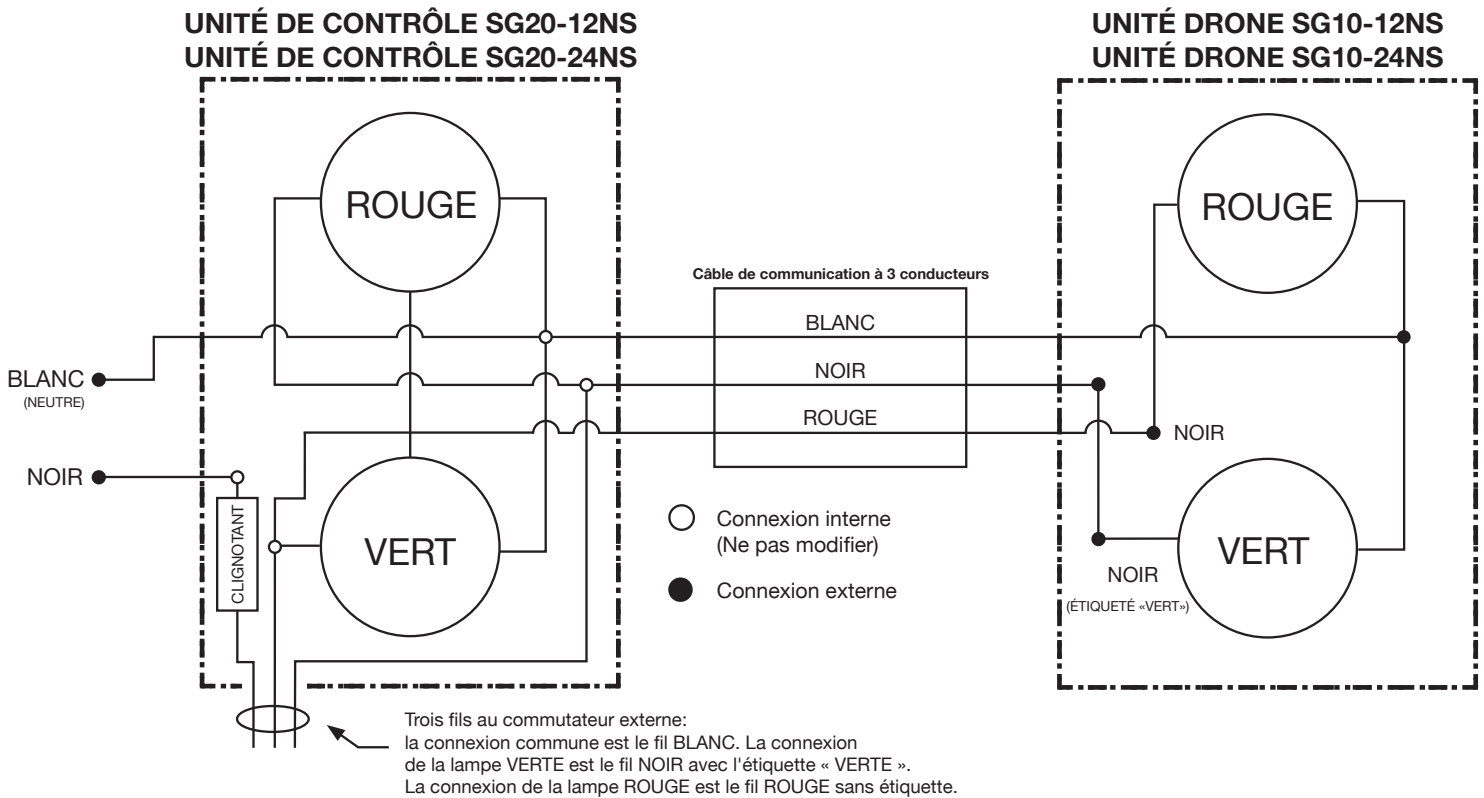
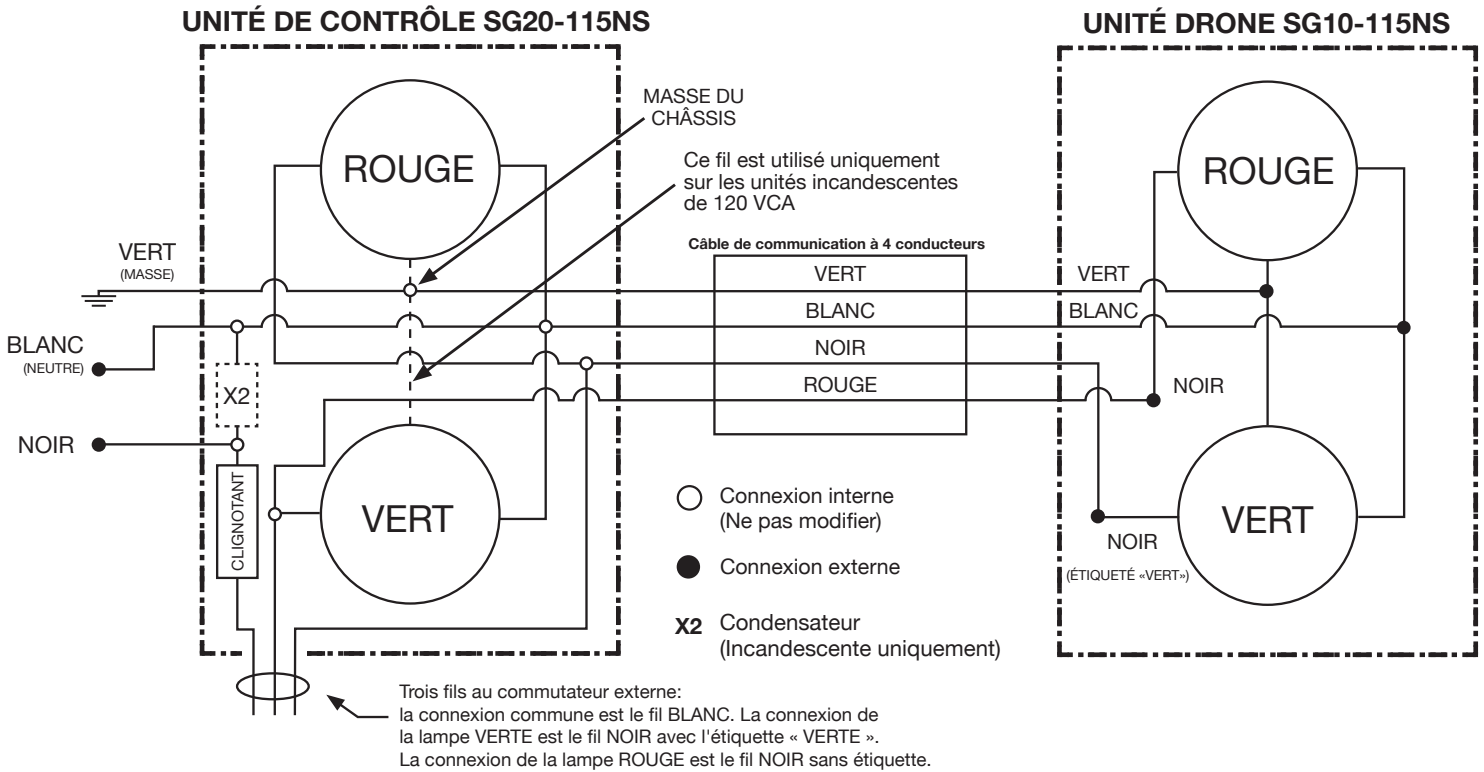


WIRING DIAGRAM for MODELS SG30-NS (Incandescent) and SG30-NS-LED



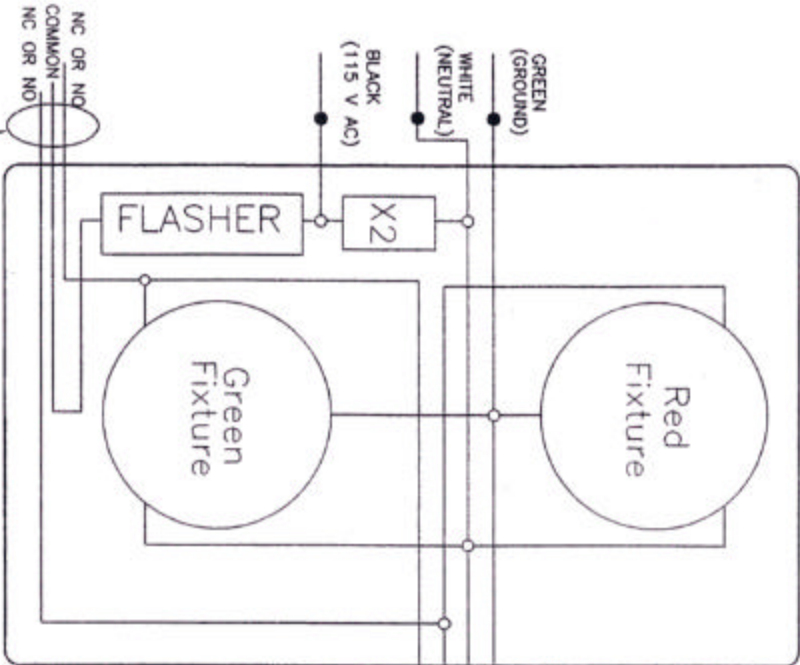


SCHÈMA DE CONNEXION pour les MODÈLES SG30-NS (Incandescence) et SG30-NS-LED (DEL)



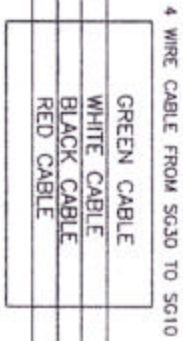
AC 115V SG30 STOP & GO WIRING DIAGRAM
 (WITHOUT SWITCH-FOR EXTERNALLY CONTROLLED CIRCUITS)

SG20NS-115V CONTROL UNIT



Three wires to external switch:
 Common connection is WHITE wire.
 GREEN lamp connection is BLACK wire with 'GREEN' tag.
 RED lamp connection is BLACK wire with no tag.

NOTE: WIRING IS THE SAME FOR
 INCANDESCENT AND LED FIXTURES



SG10-115V DRONE UNIT

