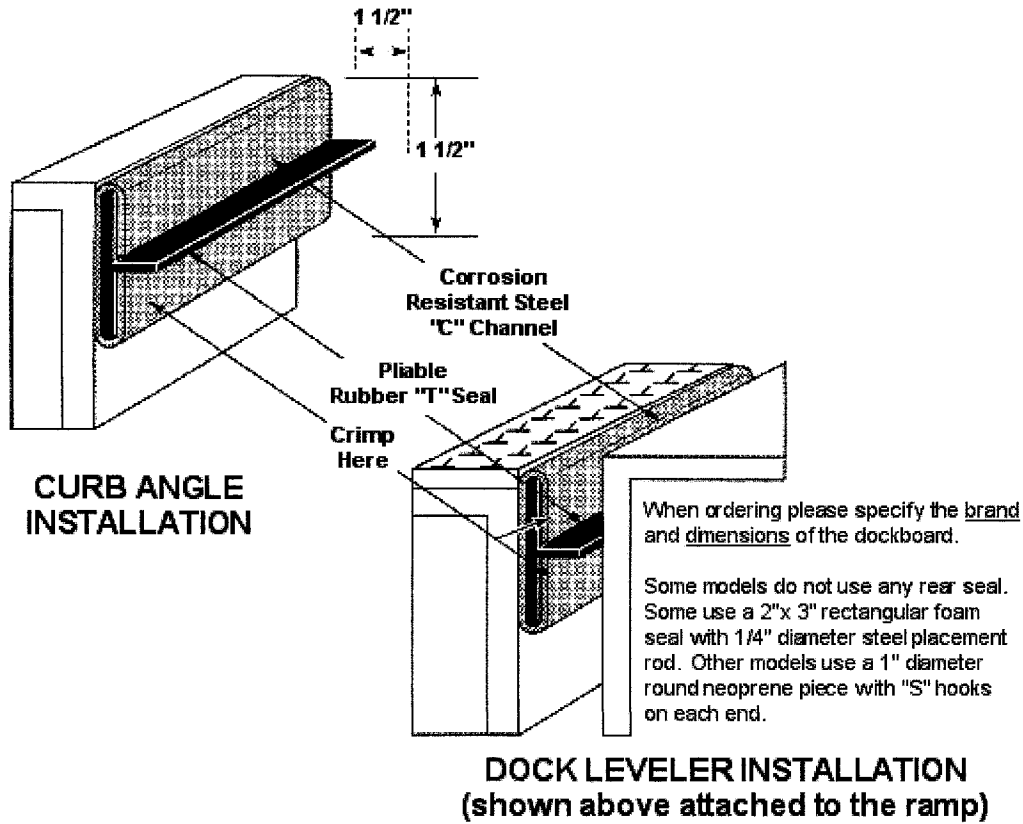


---



---

## Weatherguard 1A Curb Angle Installation & Dock Leveler Installation



- ❶ Weatherguard can be used with any pit type dock leveler.
- ❷ Weatherguard's unique design allows you to change the "T" rubber seal with simple tools.
- ❸ Weatherguard's snug fitting construction keeps mother nature where you want it.
- ❹ Weatherguard's minimal investment provides maximum returns.

### Weatherguard

is constructed of a corrosion resistant steel channel to ensure longevity. The "T" insert is a pliable rubber seal projecting out along the entire length of the dock leveler sealing the ramp on both sides.

### Installation procedure:

- a. Tack weld the channel to the dock board or along the curb of the pit wall if supplied.
- b. Install rear seal. (If supplied).

### Weatherguard ...

- reduces heating & air conditioning costs
- helps keep rodents out
- keeps dock leveler pits clean
- is easy to install and replace
- is energy conscious